

Series 745

Bidirectional Heavy Duty Slurry Valve



Bray / VAASTM

2"-24" (50-600mm) 150psi (10bar)

Series 745

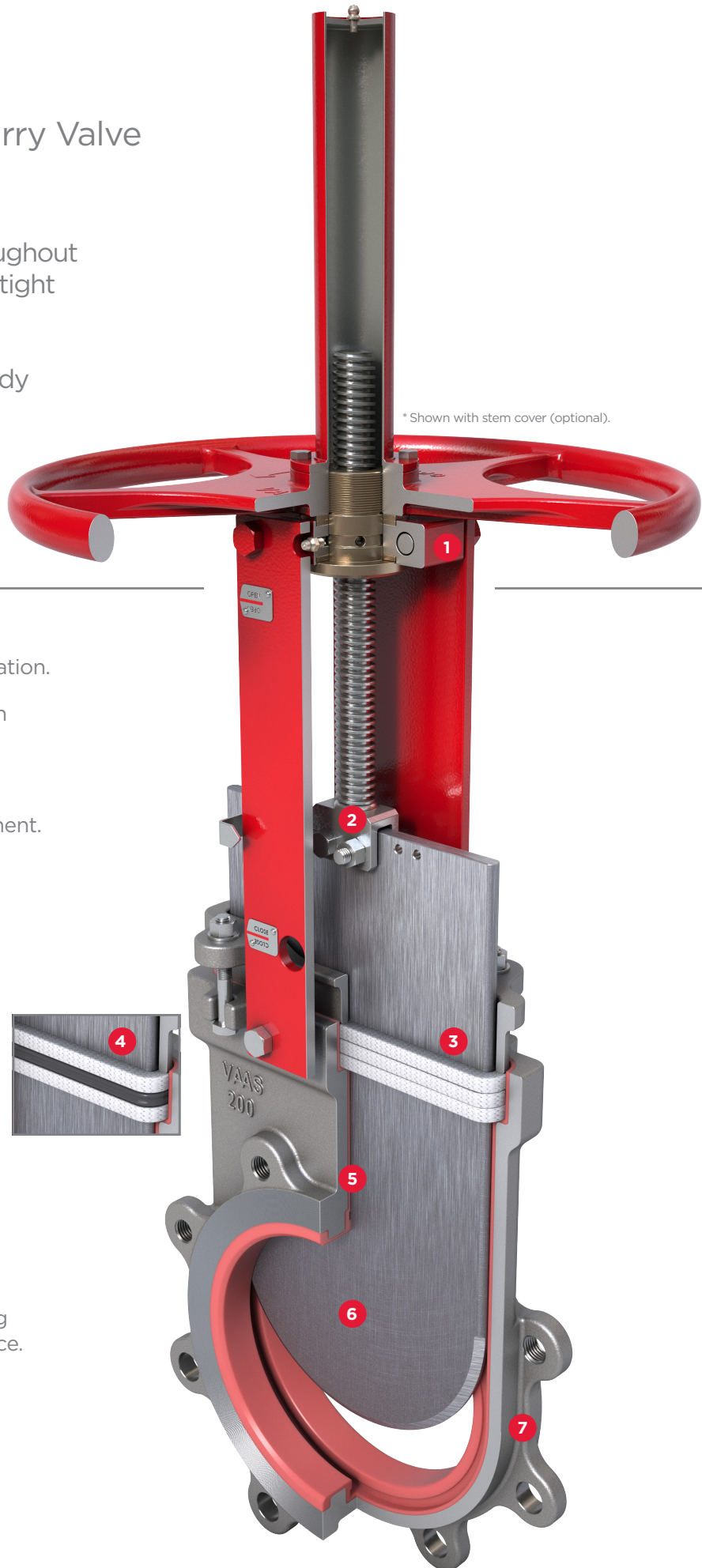
Bidirectional Heavy Duty Slurry Valve

The Bray/VAAS Series 745 features a one piece urethane liner molded throughout the body and chest providing bubble tight shutoff in abrasive applications.

The one piece, durable ductile iron body is offered in a compact wafer style for ease of handling and installation.

* Shown with stem cover (optional).

- 1 Designed for easy, quick conversion between manual and pneumatic actuation. Featuring a lubricant injection port for continuous, smooth operation with minimal maintenance.*
- 2 Clevis design and horizontal bolting stabilizes gate ensuring proper alignment.
- 3 Standard multi-layer square packing provides exceptional gland sealing.
- 4 Optional energized quad seal packing for enhanced gland sealing.
- 5 Urethane body liner is rated up to 80°C/176°F and completely protects valve body from abrasive line media. (UMP 241 90 Shore, PTMEG-TDI)
- 6 Deflection resistant gate design ensures consistent alignment for industry leading durability.
- 7 Lugged body suitable for all mounting orientations including dead-end service.



Standard Construction

Body	Gate	Liner	Stem	Gland	Packing	Topworks
DI	304	Urethane	304	DI	PTFE	Steel
CF8	304	Urethane	304	DI	PTFE	Steel
CF8M	304	Urethane	304	DI	PTFE	Steel

Actuator Options*

Bevel Gear	Standard 10"-24"
Pneumatic	
Hydraulic	
Electric	

*Direct Mounted Handwheel (Standard 2"-8").

Body Options

Carbon Steel (WCB)
CF8 Stainless Steel
CF8M Stainless Steel
CF3M Stainless Steel

Gate Options

304, 316, 317 Stainless Steel
SAF 2507 Duplex
17-4PH Stainless Steel
Hastelloy® C
Monel®
Titanium

Packing Options

PTFE	232°C/450°F
Elastomer	90°C/194°F
Quad Seal*	200°C/392°F
Copper Wiper	500°C/932°F
Graphite	1000°C/1832°F

*PTFE with Buna-N or Viton®.

Additional material options may be available upon request. Consult factory for availability.

Specifications & Standards

Size Range	2" to 24" (50 - 600mm)
Pressure Rating	150psi (10bar)
Body Style	Single piece, Wafer, Lug

Design	Manufacturer Standard
Testing	MSS SP-81
Face-to-face Certification	Per industry standard
Drilling*	ASME B16.5 CL150, ASME B16.47 CL150

*Additional drilling options available. Consult factory for availability.

Dimensions

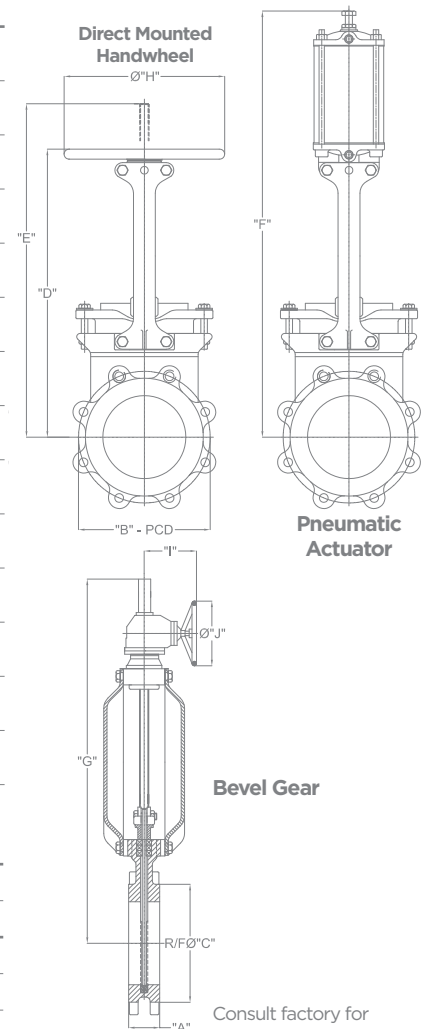
In. (mm)	A	B	R/FØC	D	E	F	G	ØH	I	J
2 (50)	1.88 (48)	4.75 (121)	3.62 (92)	13.78 (350)	14.96 (380)	19.88 (505)	--	10.00 (254)	--	--
3 (80)	2.00 (51)	6.00 (153)	5.00 (127)	16.34 (415)	19.49 (495)	23.42 (595)	--	10.00 (254)	--	--
4 (100)	2.00 (51)	7.50 (191)	6.18 (157)	18.31 (465)	21.26 (540)	25.98 (660)	--	10.00 (254)	--	--
5 (125)	2.25 (57)	8.50 (216)	7.32 (186)	20.07 (510)	23.81 (605)	29.92 (760)	--	12.00 (305)	--	--
6 (150)	2.25 (57)	9.50 (242)	8.50 (216)	22.05 (560)	27.36 (695)	32.28 (820)	27.36 (695)	12.00 (305)	9.68 (246)	19.68 (500)
8 (200)	2.75 (70)	11.75 (299)	10.63 (270)	25.59 (650)	33.27 (845)	39.17 (995)	34.25 (870)	15.98 (406)	9.68 (246)	19.68 (500)
10 (250)	2.75 (70)	14.25 (362)	12.76 (324)	28.66 (728)	39.37 (1000)	44.48 (1130)	44.68 (1135)	15.98 (406)	9.68 (246)	19.68 (500)
12 (300)	3.00 (76)	17.00 (432)	14.76 (375)	33.46 (850)	46.46 (1160)	51.37 (1305)	50.78 (1290)	20.00 (508)	9.68 (246)	19.68 (500)
14 (350)	3.00 (76)	18.75 (476)	16.26 (413)	37.60 (955)	53.16 (1350)	58.66 (1490)	54.72 (1390)	20.00 (508)	9.68 (246)	19.68 (500)
16 (400)	3.50 (89)	21.25 (540)	18.50 (470)	41.34 (1050)	58.27 (1480)	61.02 (1550)	59.44 (1510)	20.00 (508)	9.68 (246)	19.68 (500)
18 (450)	3.50 (89)	22.75 (578)	21.00 (534)	45.67 (1160)	63.76 (1620)	68.11 (1730)	66.92 (1700)	20.00 (508)	10.47 (266)	19.68 (500)
20 (500)	4.50 (114)	25.00 (635)	22.99 (584)	50.39 (1280)	70.47 (1790)	76.57 (1945)	72.83 (1850)	20.00 (508)	10.47 (266)	19.68 (500)
24 (600)	4.50 (114)	29.50 (750)	27.24 (692)	58.46 (1485)	83.66 (2125)	79.92 (2030)	86.61 (2200)	20.00 (508)	10.47 (266)	19.68 (500)

Dimensions are approximate and subject to change. Consult factory for certified drawings.

Weights

Size (In.)	2	3	4	6	8	10	12	14	16	18	20	24
Weight (lbs)	22	31	35	55	79	137	181	251	353	441	617	829
Size (mm)	50	80	100	150	200	250	300	350	400	450	500	600
Weight (kgs)	10	14	16	25	36	62	82	114	160	200	280	376

*Approximate weights shown with direct mounted handwheel, consult factory for additional configurations.



Consult factory for hydraulic and electric actuators dimensions.